

E-ONE
OCALA, FL.
SO.000000

VT67 TRADITION AERIAL
H237 TYPHOON 4 X 2 CHASSIS
G373 HP75 AERIAL LADDER

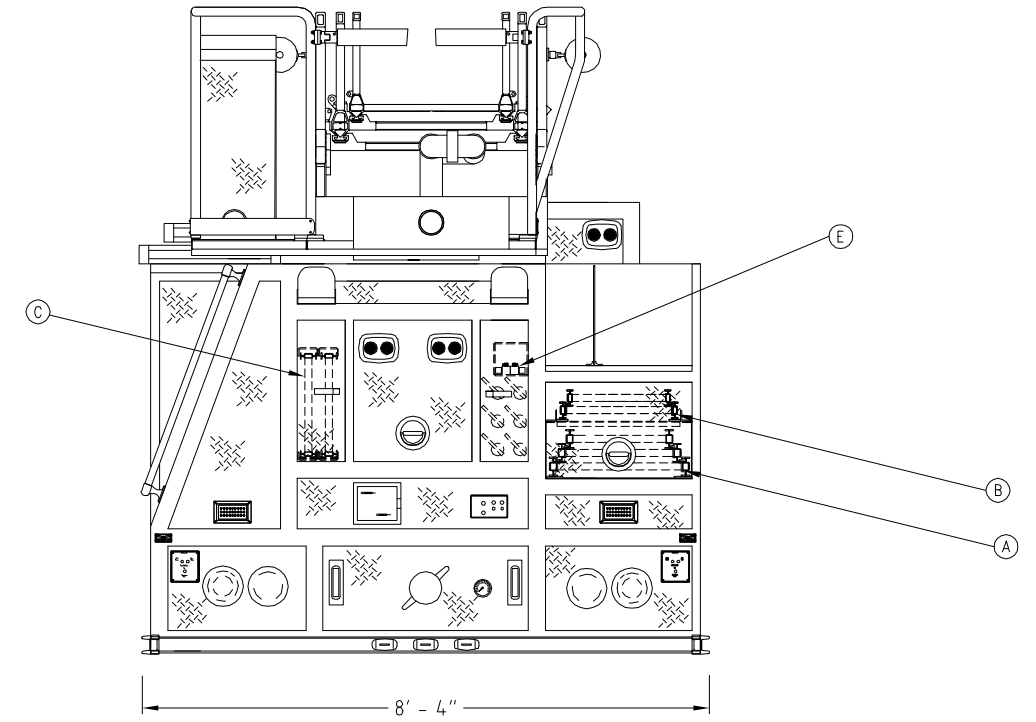
1250 GPM HALE QFLO PUMP
 500 GALLON WATER TANK

HOSELOAD:
 NFPA COMPLIANT

COMPT.	OPENING		INTERIOR DIMENSION				
			60W 60W	61H 26H	35H 26H	24D 26D	UPPER LOWER
L1	60W	61H	60W	61H	35H	24D	UPPER
R1	60W	26H	60W	26H		26D	
L2/L3	40W	31H	40W	31H	35H	24D	
R2	47W	26H	45W	26H		26D	
L4	26W	61H	26W	61H	35H	24D	UPPER
			26W		26H	26D	LOWER

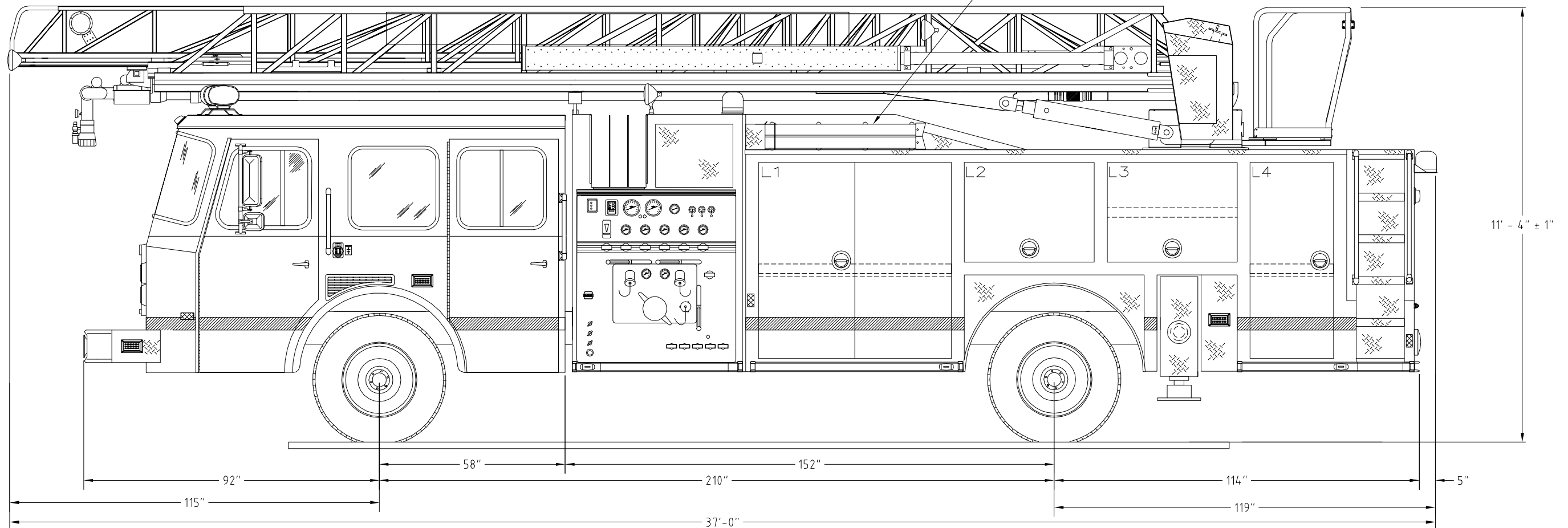
THIS DRAWING IS FOR REFERENCE PURPOSES. ALL DIMENSIONS ARE
 SUBJECT TO MINOR VARIATIONS DUE TO MANUFACTURING PROCESSES.

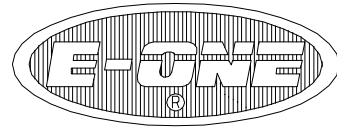
GROUND LADDERS			
ITEM	LADDER LENGTH	MODEL NUMBER	QTY
A	35' 3-SEC.	PEL3-35	1
B	24' 2-SECT.	PEL-24	1
C	16' ROOF	PRL-16	2
D	LITTLE GIANT LADDER	MODEL 17	1
E	10' ATTIC	FL-10	1



CROSSLAY HEIGHT:
 (FOR REFERENCE ONLY)
 TO RUNNING BOARD: 55"
 TO GROUND: 79"

HOSEBED HEIGHT:
 (FOR REFERENCE ONLY)
 TO GROUND: 72"





E-ONE
OCALA, FL.

SO.000000

VT67 TRADITION AERIAL
H237 TYPHOON 4 X 2 CHASSIS
G373 HP75 AERIAL LADDER

